

CE-7

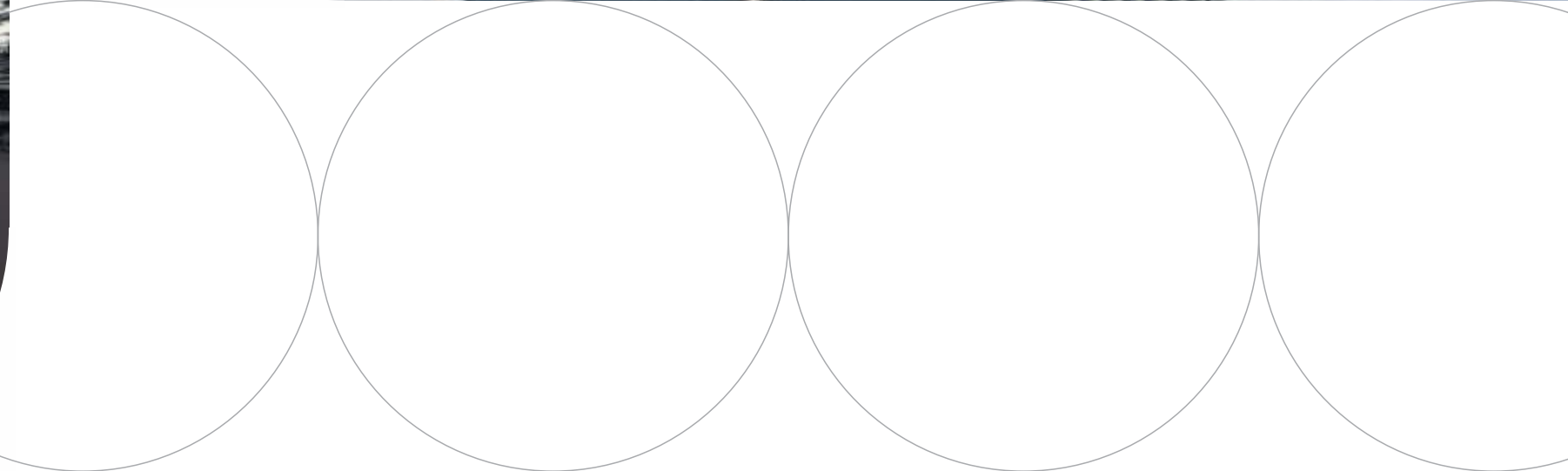
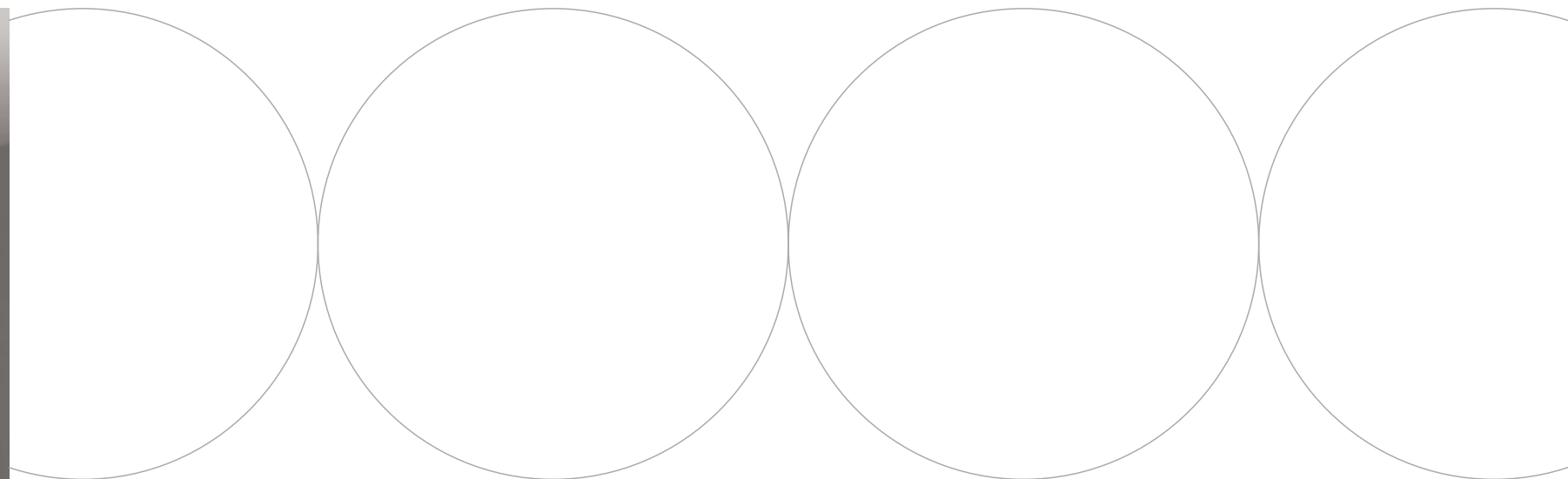


... ko stanovanje postane dom.

Alples d.d.
4228 Železniki, Slovenija
Tel.: +386 (0)4 51 18 100
Fax: +386 (0)4 51 18 145
www.alples.si
alples@alples.si



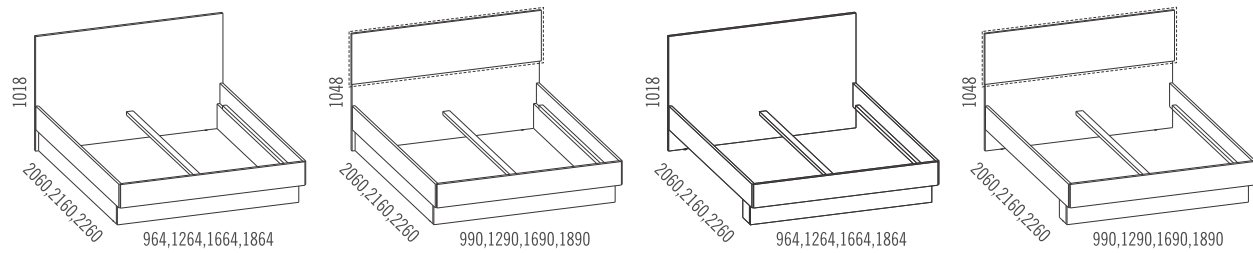
CE-3



POSTELJE • KREVETI • BEDS

Možnost spreminjanja višine dna postelje za 7cm. • Mogućnost mijenjanja visine dna kreveta za 7cm. • Possibility of changing the bottom height for 7cm.

Svetila postelje • Svetiljke kreveta • Bed lights

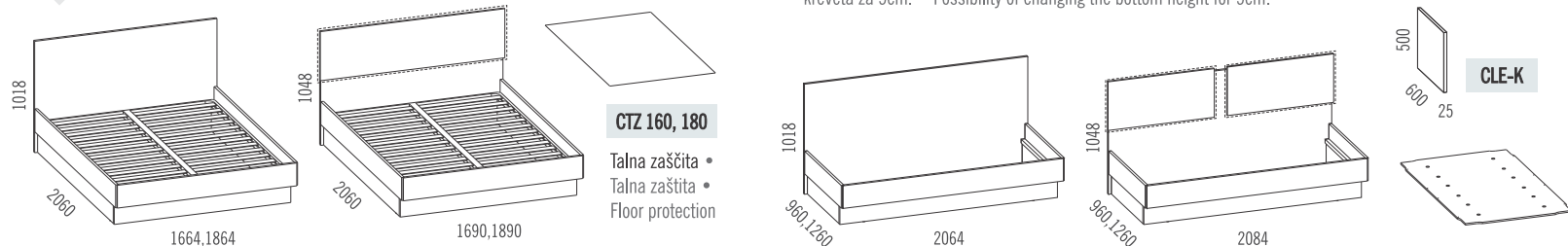


LT - Svetilo s stikalom na dotik • Svetiljka sa prekidačem na dodir • Light with touch switch
 TR - Vtič s transformatorjem • Utikač sa transformatorom i kabelom • Plug with transformer and cable
 R - Razdelilec • Kabelski razdjelnik • Power distributor

CLEZ 90,120,160,180 / 200,210,220 FW CLEZB 90,120,160,180 / 200,210,220 FW CLEK 90,120,160,180 / 200,210,220 FW CLEKB 90,120,160,180 / 200,210,220 FW A-SB1 (1xLT + 1x15W TR) A-SB2 (2xLT + 1xR + 1x15W TR)

Postelji s dviznim dnom • Kreveti s podiznim dnom • Beds with lifting bottom

Možnost spreminjanja višine dna postelje za 5cm. • Mogućnost mijenjanja visine dna kreveta za 5cm. • Possibility of changing the bottom height for 5cm.



CTZ 160, 180

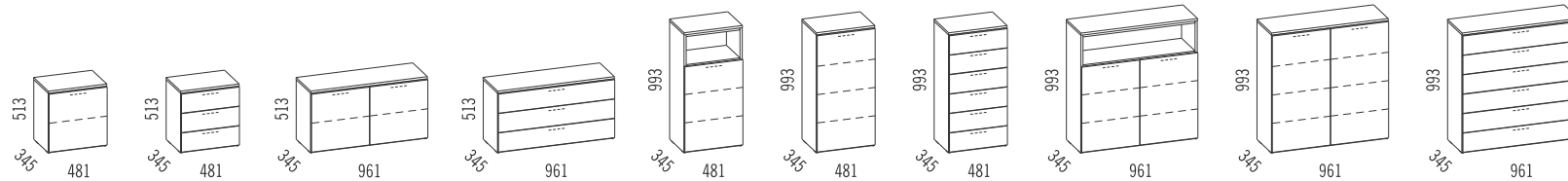
Talna zaščita • Talna zaščita • Floor protection

CLE-K

CLED 160,180 / 200 FW CLEDB 160,180 / 200 FW CLEB 90,120 FW CLEBB 90,120 FW BLE-D 90,120,160,180 / 200,210,220

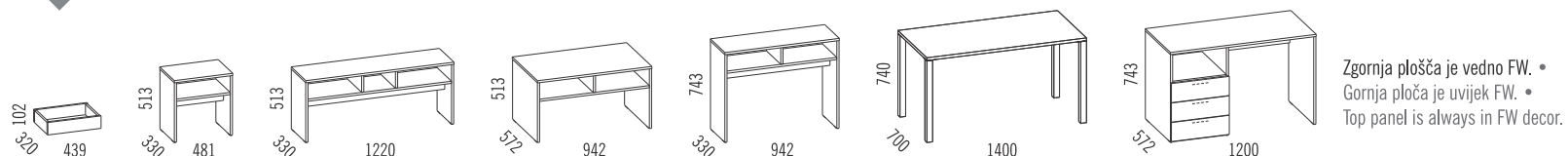
NIZKI ELEMENTI • NISKI ELEMENTI • LOW ELEMENTS

Pri FW in BSC izvedbi so zgornje plošče BSC, pri BC izvedbi pa BC. • Kod FW in BSC su gornje ploče BSC, kod BC su gornje ploče BC. • Options FW and BSC include BSC top panels, option BC includes BC top panels.



CN1-1 FW CN1-2 FW CN2-1 FW CN2-2 FW CV1-1 FW CV1-2 FW CV1-3 FW CV2-1 FW CV2-2 FW CV2-3 FW
 CN1-1 BSC CN1-2 BSC CN2-1 BSC CN2-2 BSC CV1-1 BSC CV1-2 BSC CV1-3 BSC CV2-1 BSC CV2-2 BSC CV2-3 BSC
 CN1-1 BC CN1-2 BC CN2-1 BC CN2-2 BC CV1-1 BC CV1-2 BC CV1-3 BC CV2-1 BC CV2-2 BC CV2-3 BC

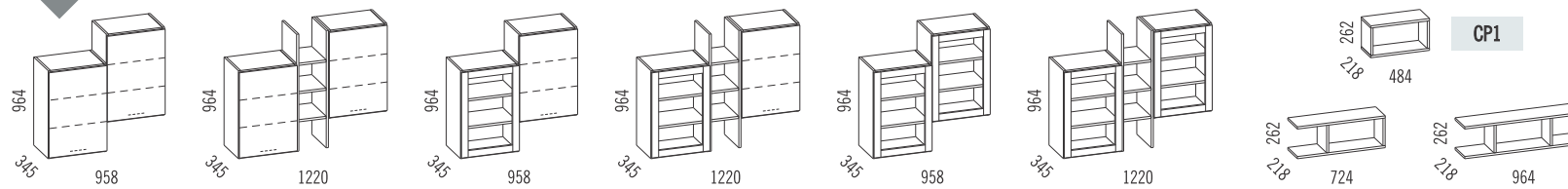
POSEBNI ELEMENTI • POSEBNI ELEMENTI • SPECIAL ELEMENTS



Zgornja plošča je vedno FW. • Gornja ploča je uvijek FW. • Top panel is always in FW decor.

CP BSC CNO BSC CTV BSC CKM BSC CTM FW CPP FW CPM FW CPM BSC CPM BC
 CP BC CNO BC CTV BC CKM BC

VIŠEĆI ELEMENTI • VIŠEĆI ELEMENTI • WALL MOUNTED ELEMENTS

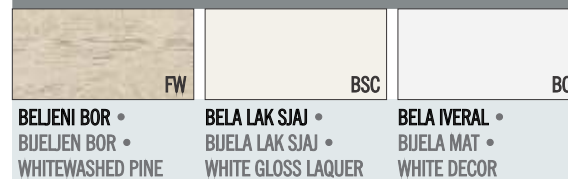


CW2 FW CW3 FW CVS2-1 FW CVS3-1 FW CVS2 CV2 CP2 CP3
 CW2 BSC CW3 BSC CVS2-1 BSC CVS3-1 BSC CV2 CP2 CP3
 CW2 BC CW3 BC CVS2-1 BC CVS3-1 BC

ROČAJI • RUČKE • HANDLES



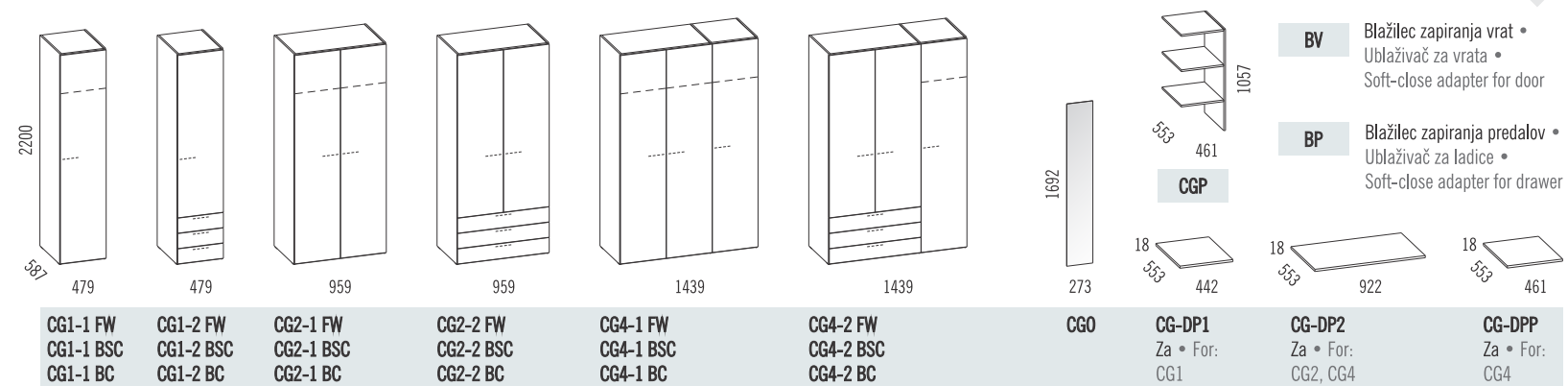
BARVE • DEKORI • DECORS



BEJENI BOR • BIJELJEN BOR • WHITWASHED PINE
 BELA LAK SJAJ • BIJELA LAK SJAJ • WHITE GLOSS LAQUER
 BELA IVERAL • BIJELA MAT • WHITE DECOR

GARDEROBNE OMARE • GARDEROBNI ORMARI • WARDROBES

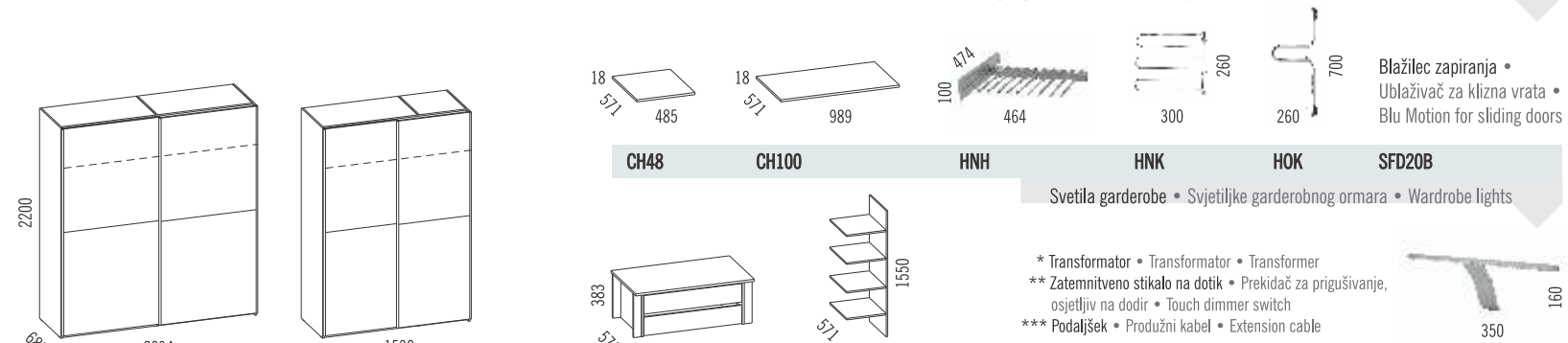
Notranja oprema ormar • Unutrašnji elementi ormara • Wardrobe interior elements



CG1-1 FW CG1-1 BSC CG1-1 BC CG1-2 FW CG1-2 BSC CG1-2 BC CG2-1 FW CG2-1 BSC CG2-1 BC CG2-2 FW CG2-2 BSC CG2-2 BC CG4-1 FW CG4-1 BSC CG4-1 BC CG4-2 FW CG4-2 BSC CG4-2 BC CGO CG-DP1 Za • For: CG1 CG-DP2 Za • For: CG2, CG4 CG-DPP Za • For: CG4

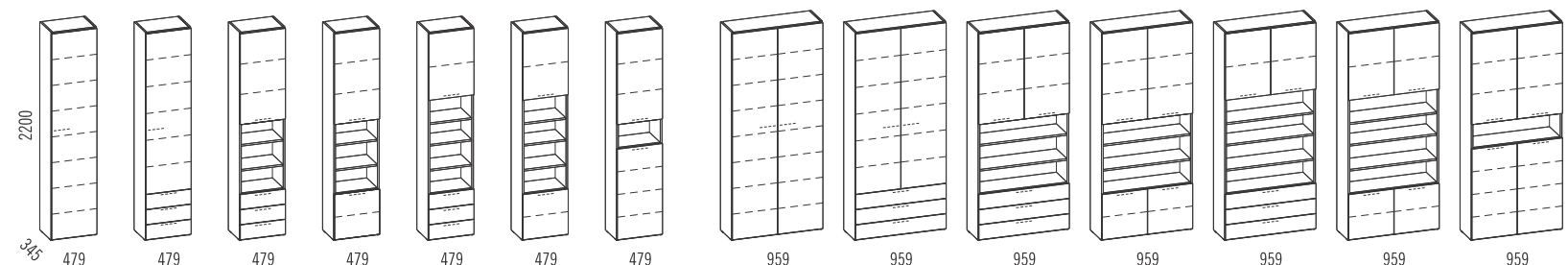
GARDEROBNE OMARE Z DRSNIMI VRATI • KLIZNI GARDEROBNI ORMARI • WARDROBES WITH SLIDING DOORS

Notranja oprema ormar • Unutrašnji elementi ormara • Wardrobe interior elements



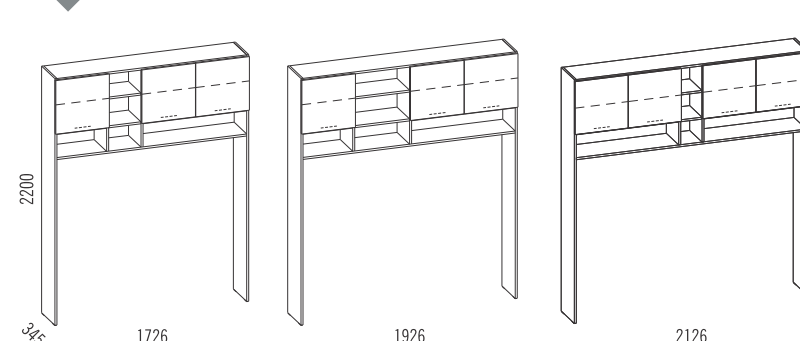
CG5-1 FW CG5-1 BSC CG5-1 BC CG6-1 FW CG6-1 BSC CG6-1 BC CP100 Samo za CG5-1 • Samo za CG5-1 • For CG5-1 only CVP ALSG1 (1 kos + TR* + STD** + P***) ALSG2 (2 kosa + TR* + STD** + P***) ALSG3 (3 kosi + TR* + STD** + P***)

VISOKE PLITVE OMARE • VISOKI PLITVI ORMARI • TALL UNITS



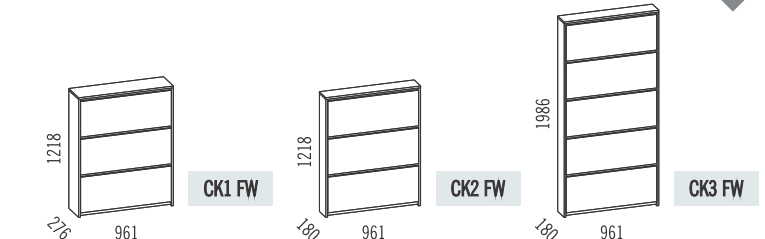
CB1-1 FW CB1-2 FW CB1-3 FW CB1-4 FW CB1-5 FW CB1-6 FW CB1-7 FW CB2-1 FW CB2-2 FW CB2-3 FW CB2-4 FW CB2-5 FW CB2-6 FW CB2-7 FW
 CB1-1 BSC CB1-2 BSC CB1-3 BSC CB1-4 BSC CB1-5 BSC CB1-6 BSC CB1-7 BSC CB2-1 BSC CB2-2 BSC CB2-3 BSC CB2-4 BSC CB2-5 BSC CB2-6 BSC CB2-7 BSC
 CB1-1 BC CB1-2 BC CB1-3 BC CB1-4 BC CB1-5 BC CB1-6 BC CB1-7 BC CB2-1 BC CB2-2 BC CB2-3 BC CB2-4 BC CB2-5 BC CB2-6 BC CB2-7 BC

MOSTOVI • MOSTOVI • BRIDGE UNITS

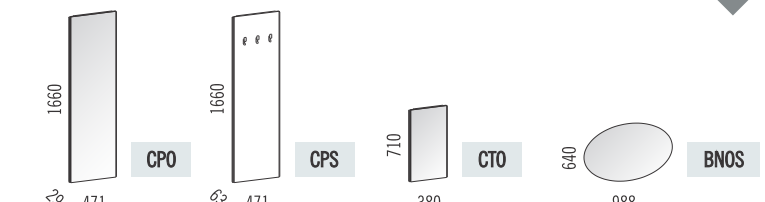


CM 160 FW CM 160 BSC CM 160 BC CM 180 FW CM 180 BSC CM 180 BC CM 200 FW CM 200 BSC CM 200 BC

OMARICE ZA ČEVLJE • ORMARIĆI ZA CIPELE • SHOE CABINETS



STENE IN OGLEDALA • OBLOGE I OGLEDALA • WALL ELEMENTS AND MIRRORS



Pridržujemo si pravico do tehničnih sprememb. • Pridržavamo pravo tehničkih izmjena. • Alples reserves the right to change items. Furniture design: Marjana Rejc, Design: Arhivna d.o.o., Print: Sinet d.o.o.